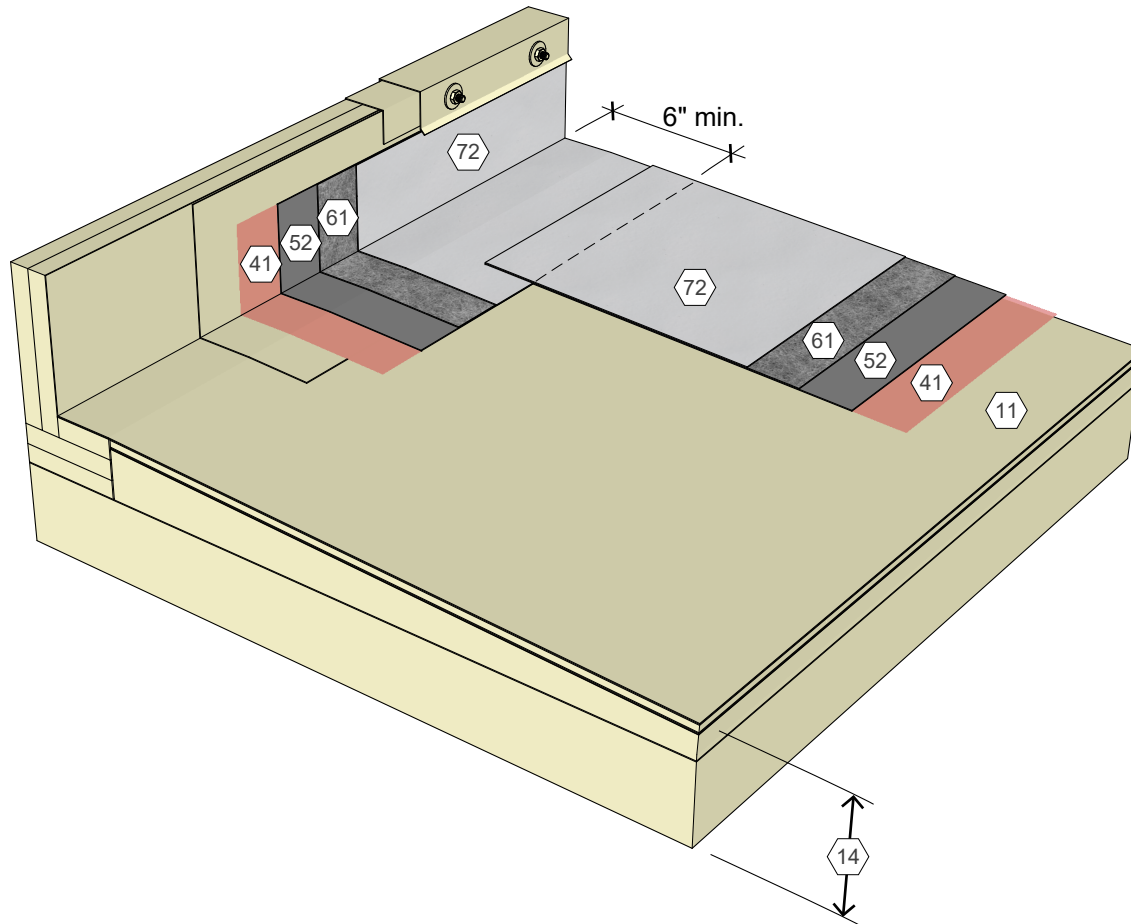
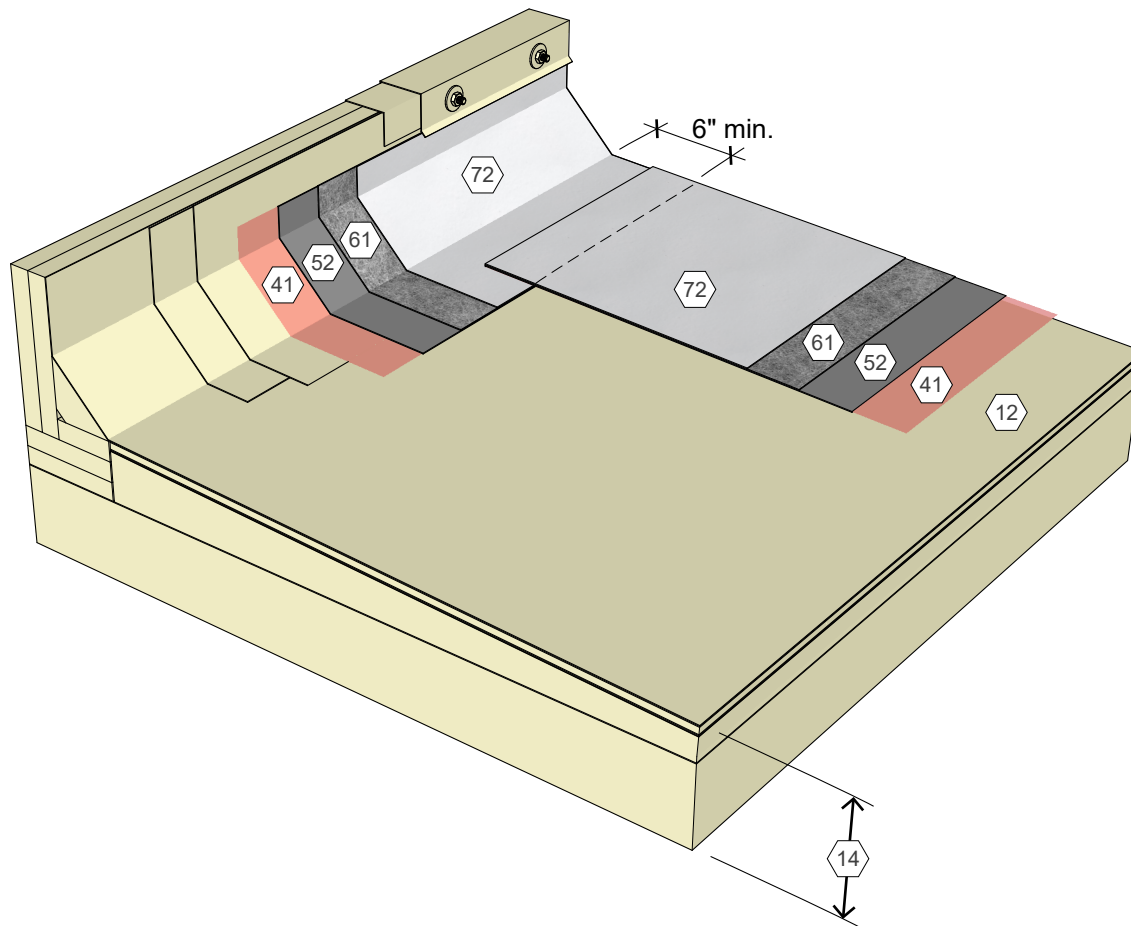


KEY NOTES

- 11 Existing Single-Ply Membrane
- 14 Existing Structural Deck and Insulation Assembly
- 41 Approved Primer
- 52 AlphaGuard BIO Base Coat
- 61 AlphaGuard Glass Mat or Permafab
- 72 AlphaGuard BIO Top Coat



AlphaGuard® BIO Restoration Detail, Single-Ply, Wood Curb
Detail 13131



KEY NOTES

- 12 Existing MB or Smooth BUR
- 14 Existing Structural Deck and Insulation Assembly
- 41 Approved Primer
- 52 AlphaGuard BIO Base Coat
- 61 AlphaGuard Glass Mat or Permafab
- 72 AlphaGuard BIO Top Coat

AlphaGuard® BIO Restoration Detail, MB or Smooth BUR, Wood Curb
 Detail 13132